

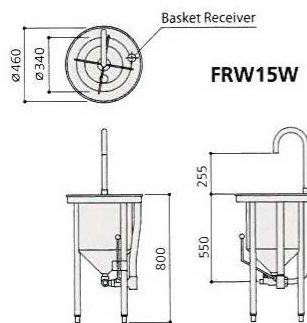
Rice Washer

A rice washer for quick, automatic rice rinsing.

Rice washing is no longer a chore.

Water and rice flow together through the pipes of this rice washer for clean removal of impurities and floating bodies. Jetting bubbles generated by water flow protects the rice from damage.

Retrieving the rice is as simple as placing a colander on top of the drum.



FRW15W



Model	FRW15W
Overall dimensions	Ø460(D) × 800(H)mm
Capacity	15kg
Case material	Stainless steel plate
Adjustable legs	Stainless steel plate ±15mm adjustable
Weight	13kg
Adjustable hydraulic	Above 0.1MPa

No more long ineffective rice washing by hands

Standard hand rice washing by a chef:

-  A chef places some rice in a container
-  Adds some water, stirs rice for 3-7 minutes, removes murky water
-  Repeats this procedure 3-4 times or until he gets bored
-  But in this case:
 - The starch isn't washed away completely
 - The rice structure damages, rice can be crushed

Always high quality rice washing

Washing with rice washer:

-  add some rice
-  turn the water on
-  ... 3 minutes ...
-  rice for sushi is ready!



- It doesn't require human involvement
- Always high quality washing
- Removes the Starch
- Rice Doesn't Get Damaged

As a result:

- You can buy cheap rice varieties with much more starch
- No rice burnt, so you don't have to throw away any damaged rice